

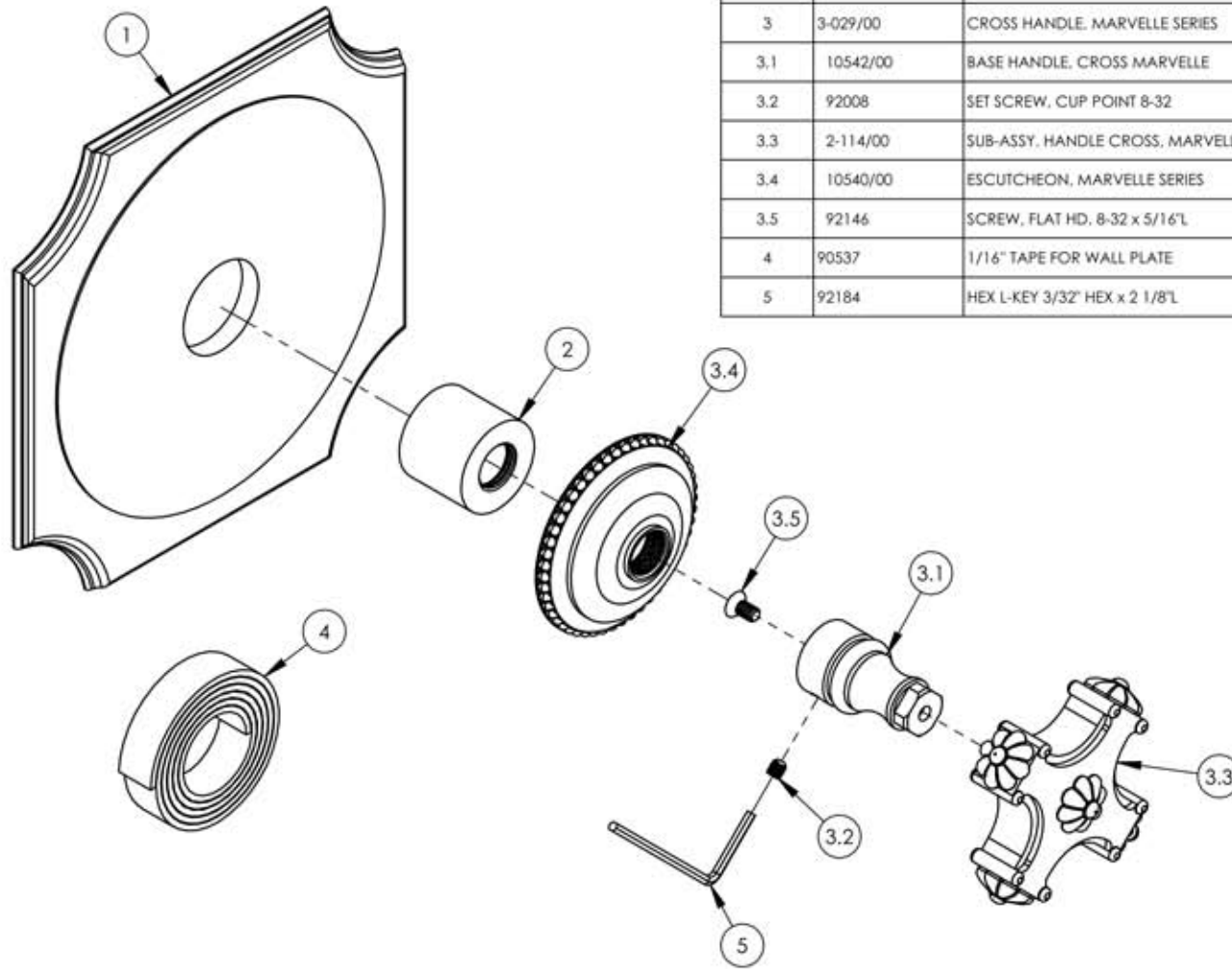
A

B

C

D

E



ITEM NO.	PART NUMBER	DESCRIPTION	QTY.
1	10515/00	TRIM PLATE, FRENCH TRAD. PB/THERMO	1
2	10986	CENTERING PLATE SLEEVE	1
3	3-029/00	CROSS HANDLE, MARVELLE SERIES	1
3.1	10542/00	BASE HANDLE, CROSS MARVELLE	1
3.2	92008	SET SCREW, CUP POINT 8-32	2
3.3	2-114/00	SUB-ASSY. HANDLE CROSS, MARVELLE SERIES	1
3.4	10540/00	ESCUTCHEON, MARVELLE SERIES	1
3.5	92146	SCREW, FLAT HD. 8-32 x 5/16'L	1
4	90537	1/16" TAPE FOR WALL PLATE	1
5	92184	HEX L-KEY 3/32" HEX x 2 1/8"L	1

ALL	A	-DRAWING WAS UPDATED WITH SUB ASSY. 2-114	12/4/2015	GRE
ZONE	REV.	DESCRIPTION	DATE	APPROVED

## REVISIONS

1261 LOGAN AVENUE  
COSTA MESA, CALIFORNIA 92626  
PHONE: 714.361.4800  
FAX: 714.617.3120

# PHYLORICH®

Defining Luxury Since 1959

## PROPRIETARY AND CONFIDENTIAL

THE INFORMATION CONTAINED IN THIS DRAWING IS THE SOLE PROPERTY OF RISS MANUFACTURING. ANY REPRODUCTION IN PART OR AS A WHOLE WITHOUT THE WRITTEN PERMISSION OF RISS MANUFACTURING IS PROHIBITED.

INTERPRET GEOMETRIC DIMENSIONING & TOLERANCING IN ACCORDANCE WITH ASME Y14.5-2009 & ASME Y14.41-2003 STANDARDS. UNLESS OTHERWISE SPECIFIED, DIMENSIONS ARE IN INCHES. TOLERANCES ARE:	FRACTIONS ±1/64"	DECIMALS X.X: ±.1 X.XX: ±.01 X.XXX: ±.005	ANGULAR ±.5°
NEXT ASSY	USED ON	APPLICATION	
MATERIAL			
FINISH	DRAWN	LLO	10/15/2015
DO NOT SCALE DRAWING	CHECKED	GRE	

1/2" MINI THERMOSTATIC SHOWER TRIM,  
CROSS HANDLE, MARVELLE SERIES

SIZE	ASM/PRT NO.	REV
<b>A</b>	4-475/00	A

SCALE: 1:2      WEIGHT: lbs.      SHEET 1 OF 2

5

4

3

2

1